

User information | FourReal® 74, 90, 105, 741

Disposal / Recycling of the product

Recycling, general: The table can be divided into parts.

Metal parts can be disposed and recycled by an approved environment and raw materials organisation.

Lacquered frames are treated with paint classified as not dangerous according to directive 1999/45/EF.

The plastic parts of the product contain no biocidal compounds and may be recycled according to their marking.

Conditions for use of the product

The FourReal® is a non-domestic table with longevity – highly suitable for eating facilities, offices and educational environments.

*The FourReal 'Eco' is not suited for outdoor use.

Cleaning

General cleaning: Wipe the surface with a clean cloth and luted water with a neutral cleaning detergent. Afterwards, wipe the surface with a clean, dry cloth to avoid stripes or blotches.

Thorough cleaning: Difficult stains may require a more powerful detergent or solvent. Prior to cleaning, always test the detergent/solvent in an invisible spot (underneath the table top, hidden spot on frame) to ensure that it will not damage the surface of table and frame.

Warranty

Four Design provides an extended warranty of 5 years on all products in our official price list. The warranty covers breakage of frames and damage occurred because of deficient craftsmanship performance under normal use. The warranty will lapse if the product shows signs of mishandling abuse or other physical damage. The warranty does not cover those parts of the product which are exposed to abrasion during use. For further information please refer to our price list.

Compliance with European norms and standards

The FourReal ECO tables has been tested according to and has passed, the following European and American tests.

- EN 15372/02.2017
- EN 1730
- GS

Spare parts

Spare parts are available throughout the extended 5 year warranty period.

Please contact the sales department in your area for inquiries regarding guarantee and spare parts.

Assembly

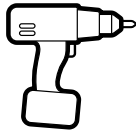
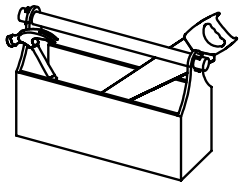
The FourReal® 74, 90, 105, 741 Flake tables are delivered fully assembled and requires no further assembly/handling by the customer.

FourReal® A is a knock-down product. You find assembly instructions on our website.

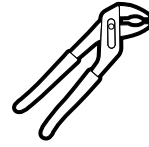
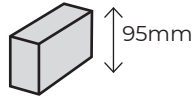
Disassembly

If the product is no longer to be used, the different parts of the furniture is to be disassembled and recycled. Please find disassembling guide on our website.

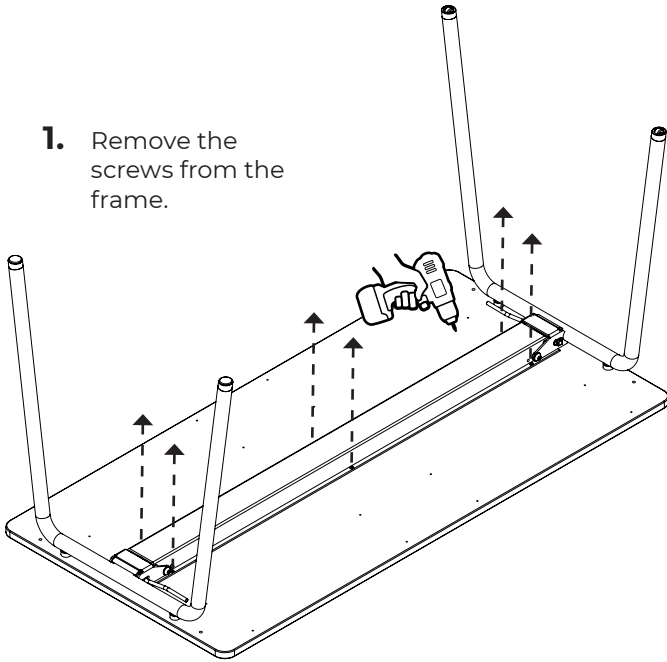
How to disassemble **FourReal**® 74, 90, 105, 741



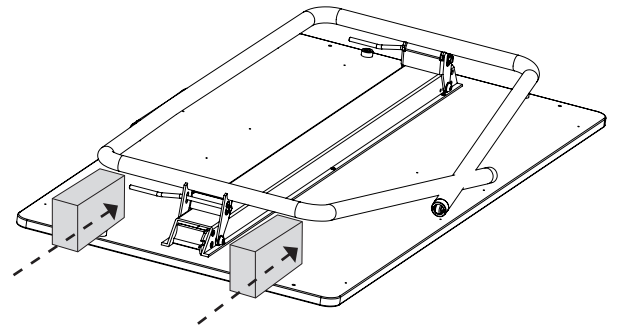
x2 wooden blocks



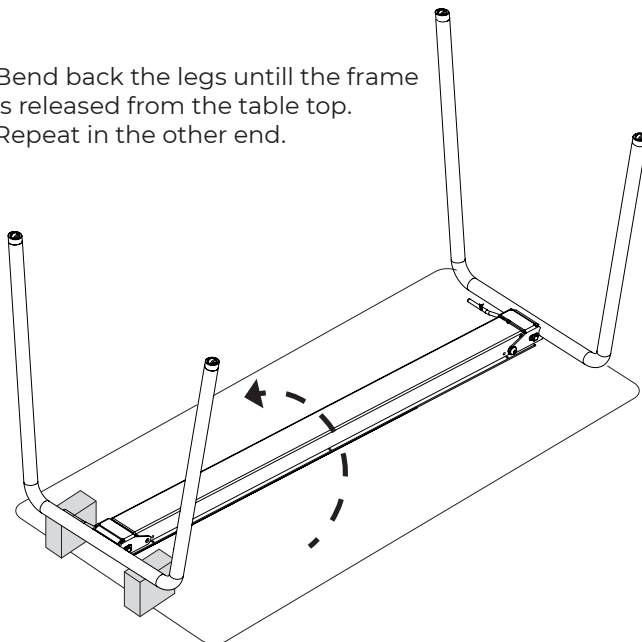
1. Remove the screws from the frame.



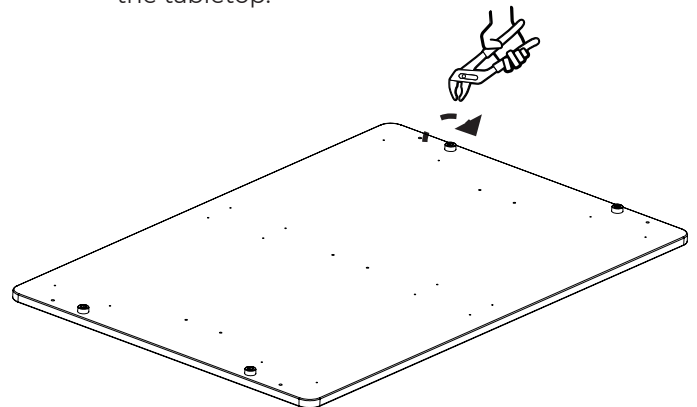
2. Bend the legs and place two blocks.



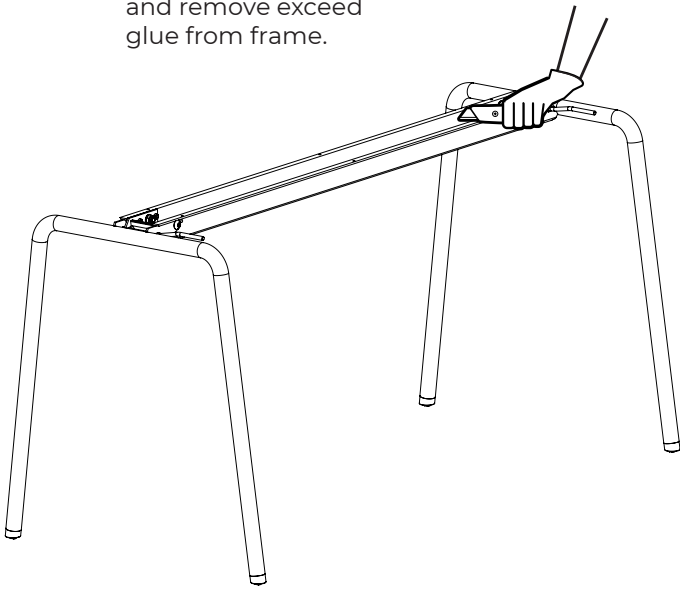
3. Bend back the legs until the frame is released from the tabletop. Repeat in the other end.



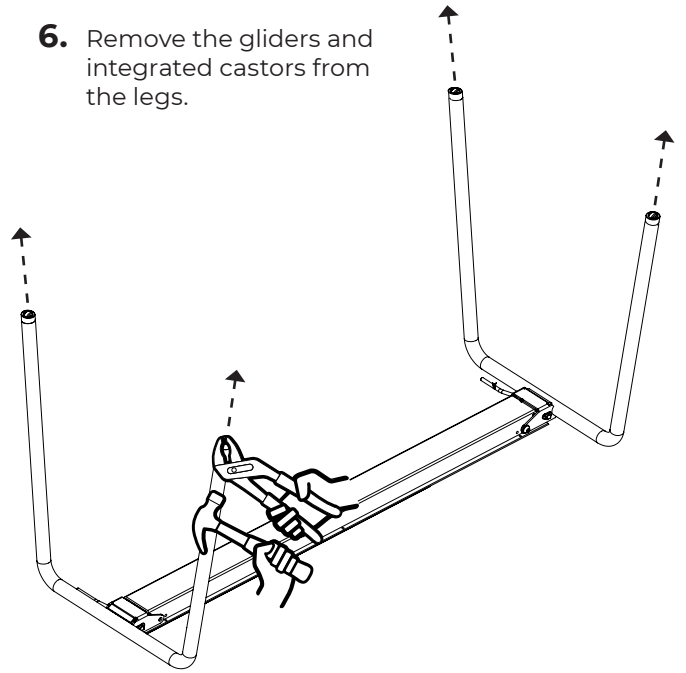
4. Use a pipe wrench to remove the spacers from the tabletop.



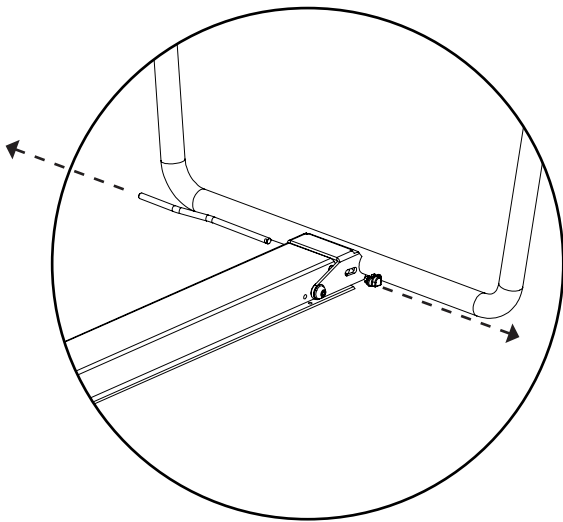
- 5.** Use gloves!
Turn over the frame
and remove excess
glue from frame.



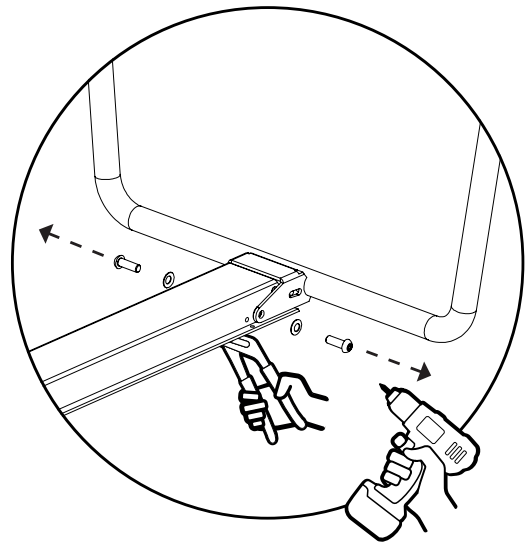
- 6.** Remove the gliders and
integrated castors from
the legs.



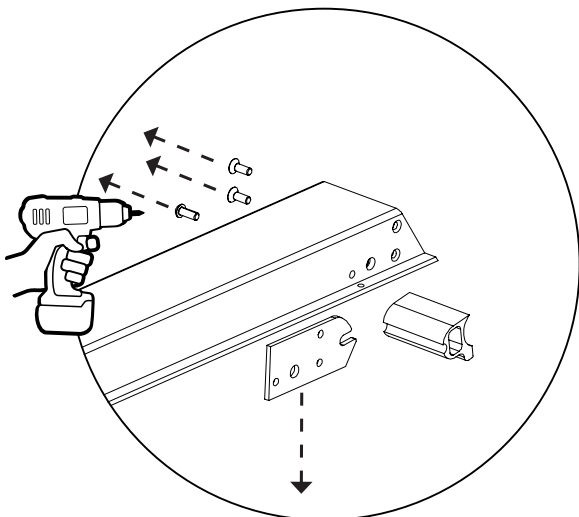
- 7.** Remove the placeholder and the
locking arm.



- 8.** Remove the screws. It may be
necessary to use a wrench for
the nuts on the inside.



- 9.** Remove the fasteners and all
remaining loose parts.



FourReal® 74

800x800

| Material | Weight | % of total weight |
|------------------|--------|-------------------|
| Steel | 8886 | 49,2 |
| Polymer Plastics | 80 | 0,5 |
| Wood | 9000 | 49,9 |
| Other | 83 | 0,4 |
| Total | 18049 | 100 |

FourReal® 74

1200x800

| Material | Weight | % of total weight |
|------------------|---------|-------------------|
| Steel | 10916 | 46,3 |
| Polymer Plastics | 80 | 0,3 |
| Wood | 12500 | 53 |
| Other | 90,5 | 0,4 |
| Total | 23586,5 | 100 |

FourReal® 74

1280x640

| Material | Weight | % of total weight |
|------------------|--------|-------------------|
| Steel | 9646 | 45,3 |
| Polymer Plastics | 80 | 0,4 |
| Wood | 11500 | 53,94 |
| Other | 90 | 0,4 |
| Total | 21316 | 100 |

FourReal® 74

1400x700

| Material | Weight | % of total weight |
|------------------|--------|-------------------|
| Steel | 10386 | 41,4 |
| Polymer Plastics | 80 | 0,3 |
| Wood | 14500 | 57,9 |
| Other | 94 | 0,4 |
| Total | 25060 | 100 |

FourReal® 74

1400x800

| Material | Weight | % of total weight |
|------------------|--------|-------------------|
| Steel | 11286 | 41,9 |
| Polymer Plastics | 80 | 0,3 |
| Wood | 15500 | 57,5 |
| Other | 94 | 0,4 |
| Total | 26960 | 100 |

FourReal® 74

1800x800

| Material | Weight | % of total weight |
|------------------|--------|-------------------|
| Steel | 12226 | 36,6 |
| Polymer Plastics | 80 | 0,25 |
| Wood | 21000 | 62,9 |
| Other | 102 | 0,3 |
| Total | 33408 | 100 |

FourReal® 74

1800x800 Curved

| Material | Weight | % of total weight |
|------------------|--------|-------------------|
| Steel | 12226 | 36,6 |
| Polymer Plastics | 80 | 0,25 |
| Wood | 21000 | 62,9 |
| Other | 102 | 0,3 |
| Total | 33408 | 100 |

FourReal® 90

1400x600

| Material | Weight | % of total weight |
|------------------|--------|-------------------|
| Steel | 11626 | 47,7 |
| Polymer Plastics | 80 | 0,3 |
| Wood | 12600 | 51,6 |
| Other | 94 | 0,4 |
| Total | 24400 | 100 |

FourReal® 90

1400x800

| Material | Weight | % of total weight |
|------------------|--------|-------------------|
| Steel | 12326 | 45,6 |
| Polymer Plastics | 80 | 0,3 |
| Wood | 14500 | 53,7 |
| Other | 94 | 0,4 |
| Total | 27000 | 100 |

FourReal® 90

1800x600

| Material | Weight | % of total weight |
|------------------|--------|-------------------|
| Steel | 12466 | 43,9 |
| Polymer Plastics | 80 | 0,3 |
| Wood | 15750 | 55,5 |
| Other | 100 | 0,3 |
| Total | 28396 | 100 |

FourReal® 90

1800x800

| Material | Weight | % of total weight |
|------------------|--------|-------------------|
| Steel | 12966 | 37,8 |
| Polymer Plastics | 80 | 0,3 |
| Wood | 2100 | 61,5 |
| Other | 104 | 0,3 |
| Total | 15250 | 100 |

FourReal® 105

1400x600

| Material | Weight | % of total weight |
|------------------|--------|-------------------|
| Steel | 12626 | 49,7 |
| Polymer Plastics | 80 | 0,3 |
| Wood | 12600 | 49,6 |
| Other | 94 | 0,4 |
| Total | 25400 | 100 |

FourReal® 105

1400x800

| Material | Weight | % of total weight |
|------------------|--------|-------------------|
| Steel | 13326 | 47,6 |
| Polymer Plastics | 80 | 0,3 |
| Wood | 14500 | 51,8 |
| Other | 94 | 0,3 |
| Total | 28000 | 100 |

FourReal® 105

1800x600

| Material | Weight | % of total weight |
|------------------|--------|-------------------|
| Steel | 22966 | 59 |
| Polymer Plastics | 80 | 0,2 |
| Wood | 15750 | 40,5 |
| Other | 102 | 0,3 |
| Total | 38898 | 100 |

FourReal® 105

1800x800

| Material | Weight | % of total weight |
|------------------|--------|-------------------|
| Steel | 24366 | 53,5 |
| Polymer Plastics | 80 | 0,2 |
| Wood | 21000 | 46,1 |
| Other | 101 | 0,2 |
| Total | 45547 | 100 |

FourReal® 741 Flake

1400x1000

| Material | Weight | % of total weight |
|------------------|--------|-------------------|
| Steel | 11886 | 36,6 |
| Polymer Plastics | 80 | 0,25 |
| Wood | 20410 | 62,9 |
| Other | 96 | 0,3 |
| | | |
| Total | 32472 | 100 |

FourReal® 741 Flake

1400x1000xH900

| Material | Weight | % of total weight |
|------------------|--------|-------------------|
| Steel | 11886 | 36,6 |
| Polymer Plastics | 80 | 0,25 |
| Wood | 20410 | 62,9 |
| Other | 96 | 0,3 |
| | | |
| Total | 32472 | 100 |

FourReal® 741 Flake

2000x1000

| Material | Weight | % of total weight |
|------------------|--------|-------------------|
| Steel | 17726 | 37,6 |
| Polymer Plastics | 80 | 0,17 |
| Wood | 29140 | 61,9 |
| Other | 96 | 0,3 |
| | | |
| Total | 47042 | 100 |

FourReal® 741 Flake Ellipse

| Material | Weight | % of total weight |
|-----------|--------|-------------------|
| Plastic | 80 | 0,2 |
| Solidwood | 29140 | 70,1 |
| Metal | 12226 | 29,4 |
| Other | 72 | 0,2 |
| Glue | 35,53 | 0,1 |
| | | |
| Total | 41554 | 100 |

FourReal® 741 Flake Half Ellipse

| Material | Weight | % of total weight |
|-----------|--------|-------------------|
| Plastic | 80 | 0,2 |
| Solidwood | 25140 | 68,5 |
| Metal | 11386 | 31,0 |
| Other | 72 | 0,2 |
| Glue | 35,53 | 0,1 |
| | | |
| Total | 36714 | 100 |

FourReal® 741 Flake Diamond

| Material | Weight | % of total weight |
|-----------|--------|-------------------|
| Plastic | 80 | 0,2 |
| Solidwood | 23400 | 67,3 |
| Metal | 11166 | 32,1 |
| Other | 72 | 0,2 |
| Glue | 35,53 | 0,1 |
| | | |
| Total | 34754 | 100 |

