

# The DA Range

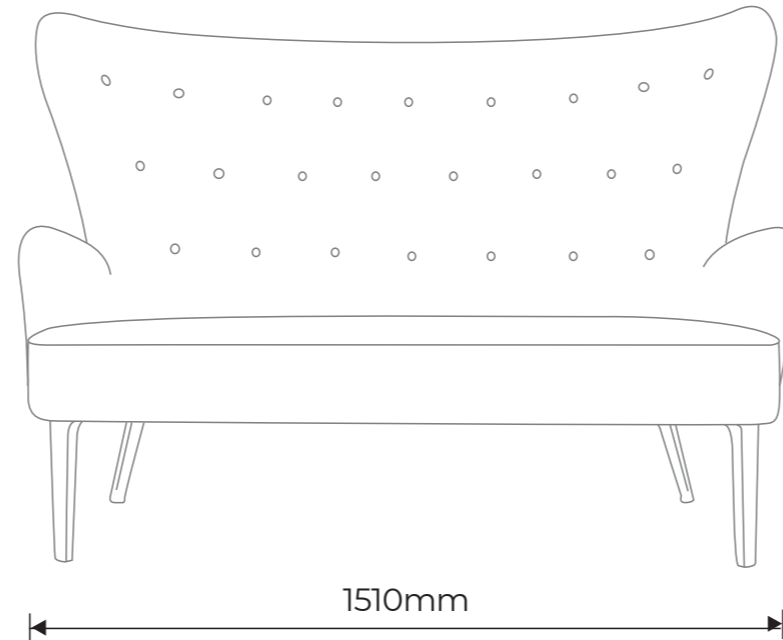
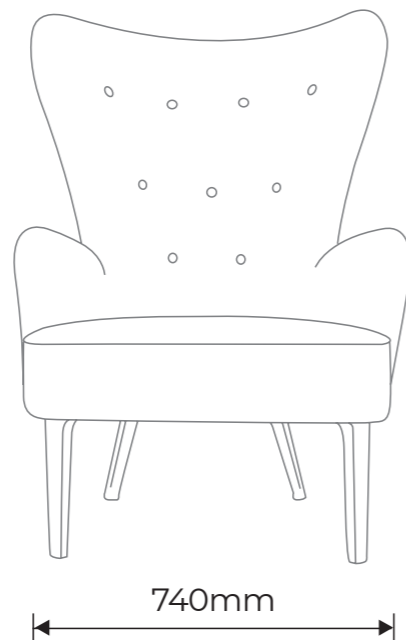
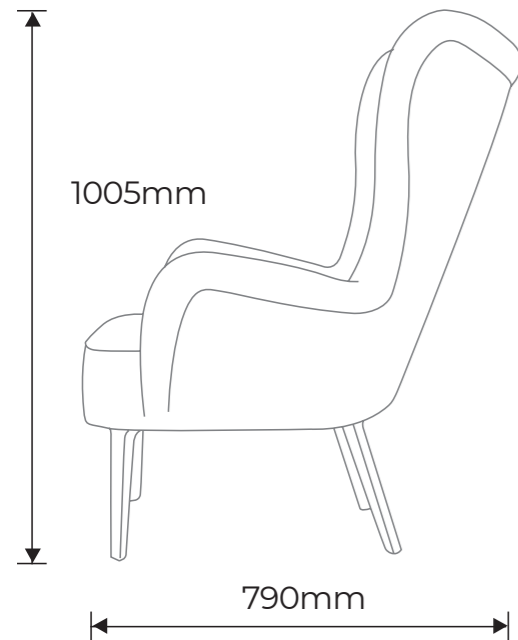
## The Ernest Race Heritage Collection



The DA6 two seater sofa shown with wooden legs



The DA chair shown with wooden legs



### Leadtime - 6 weeks

All Ernest Race Heritage products are on a 6 weeks leadtime, depending on fabric availability. Occasionally, additional time is quoted for certain selected options.

### Warranty

All Ernest Race Heritage products are offered with a 5 year warranty.

### Upholstery

Ernest Race Heritage products can be upholstered in fabric, leather and vinyl. We have listed a variety of fabrics in 8 different price bands. Many other options are available. Please see the fabric bands on page 13.

### Table top options

The Gazelle and BA tables are available in a wide variety of finishes. Please see the table top bands on page 14.

### Powder coating colours

The range of powder coating colours for each product are stated on the product pages, with an illustration summary on page 15.

### Recyclability

All products are a minimum of 95% recyclable excluding upholstery. The BA and DA frames are made from 90% recast recycled aluminium.

### SKA

All products meet SKA rating.

### Measurements

All measurements are approximate.

### Foam

CHMR foam is used in all products and tested to BS 5852.