

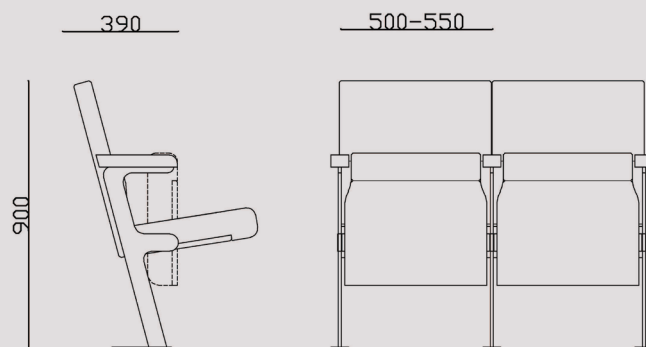
# Race Swan Seat

Originally designed for the new Sackler Gallery auditorium at the Victoria and Albert Museum in London, Swan seating reflects the designer's vision of clean lines and a geometric form. It was created in collaboration with architects Softroom, and showcases Race's fine craftsmanship and attention to detail. Swan is deceptively comfortable, with luxuriously soft padding to the seat and a profiled lumbar cushion.



## Additional info and options

- Variable seat widths and backrest angles
- Timber or upholstered armrests
- End-of-row panels
- A wide variety of upholstery styles and wood finishes
- Integrated lighting
- Fixed writing shelves
- Power and data ports



Note: Dimensions are approximate as products are designed to specification