

WARWICK

Bring a touch of elegance to your theatre



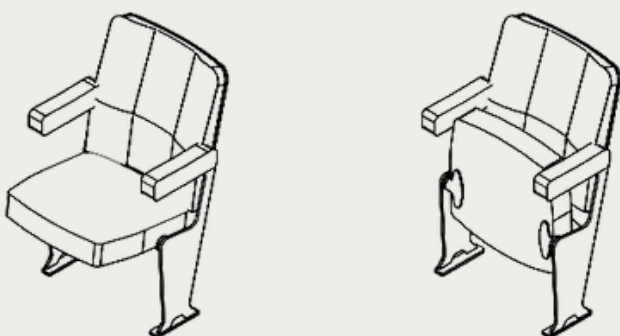
The Warwick seat is an art-deco inspired design suitable for auditoriums, theatres, or conference venues.

A fluted fan shaped back, upholstered in the fabric of choice, adds a touch of vintage-glamour, while the contoured, fully upholstered arm rests add to the luxurious comfort of this seat.

The Warwick can be made bespoke to sit perfectly in your venue – include cupholders, solid end-of-row stanchions be customised with 3D relief embossing, opt for a variety of fabrics – the options are endless.

Features and options:

- Bespoke seat dimensions.
- Wide choice of finishes, upholstery, and show room styles.
- Additional cupholders, VIP seats, embossed stanchions
- Fixed and removable options.
- Customisable arm rests, and end panels
- Customisable seat signage
- Typically, seats are all FSC® approved, and contain 80%+ recycled steel content.



For further dimension information

[Download CAD Blocks](#)

[Download BIM Model](#)

Bespoke transport and storage trolley available